

1 2 3 4 5

A

B

C

D

E

F

G

A

B

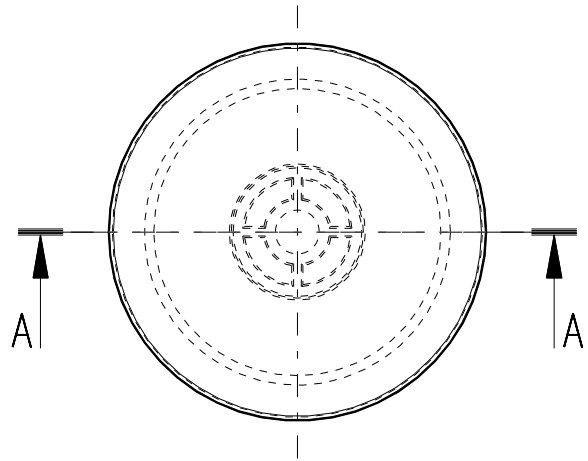
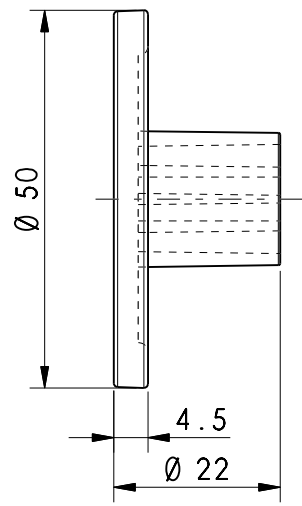
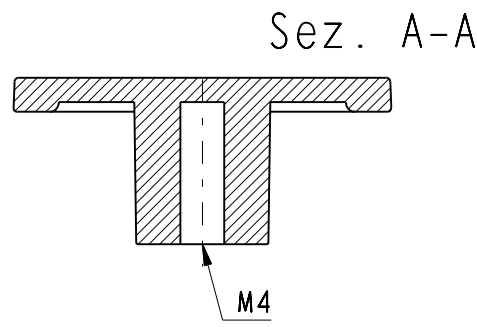
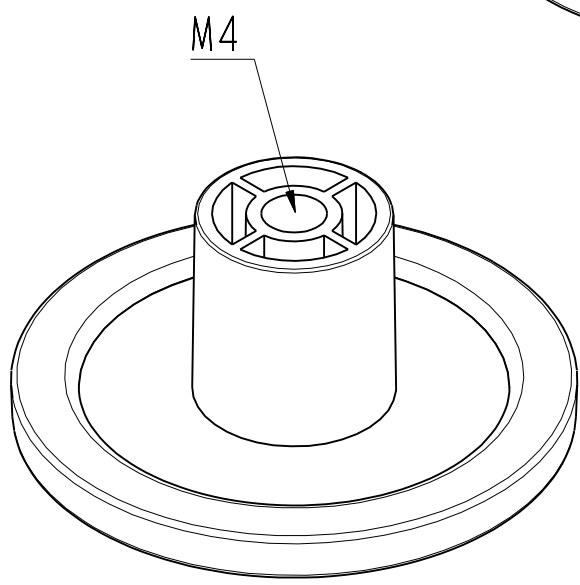
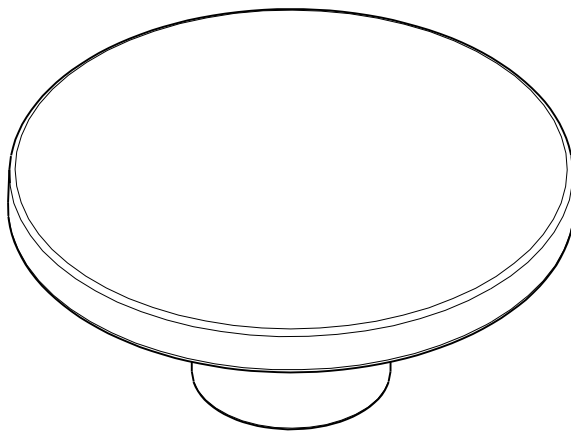
C

D

E

F

G



MATERIAL: ABS

REV	POSITION	DESCRIPTION	DATE	NAME
			UNIT mm	TYPE DRAFT DRAWING
ART. 0691		FILENAME *****	CREATED BY *****	FORMAT A4
PROJECT NAME *****		CLIENT *****	CREATION DATE *****	REVISION ***
			PART CODE *****	SHEET 1 / 1
			TOOL CODE *****	
			CHECKED BY *****	CHECKED_DATE *****

1 2 3 4 5